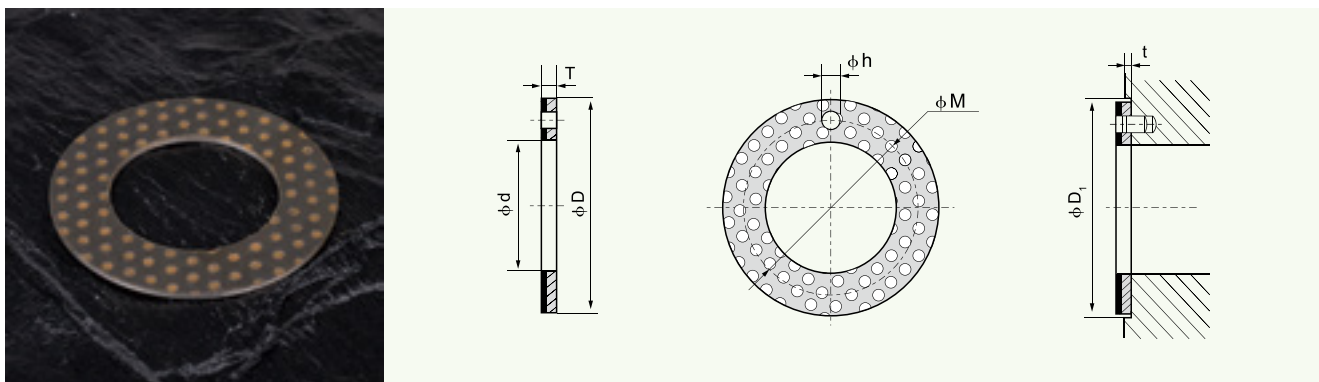


# SF-2/2Y 标准公制垫片 Metric Standard Washer

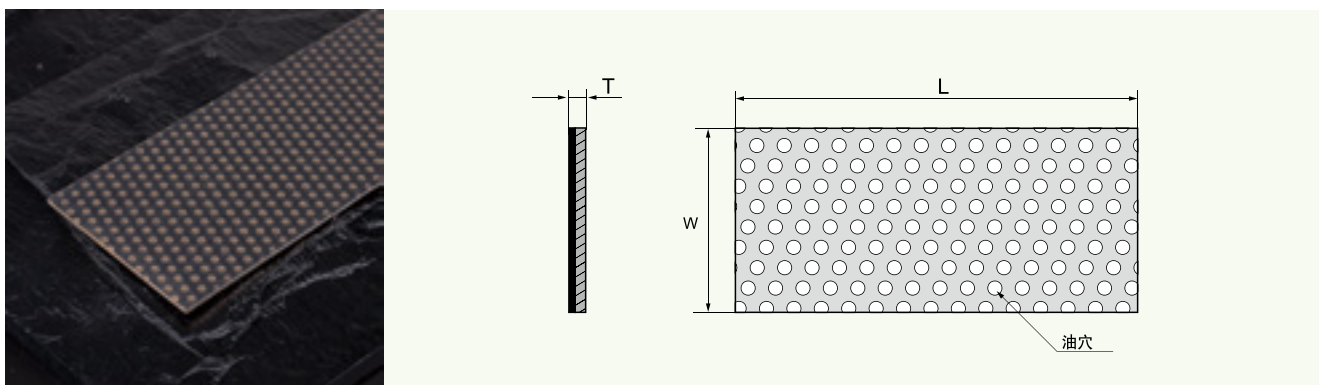


※标准垫片标注方式：Standard Washer Label Mode SF-2□ WC 10

单位Unit: mm

相配轴径 Axle	型号规格 Designation	垫片尺寸 Washer Dimension				安装尺寸 Installation Size		
		$\phi D \begin{smallmatrix} 0 \\ -0.25 \end{smallmatrix}$	$\phi d \begin{smallmatrix} +0.25 \\ 0 \end{smallmatrix}$	$T \begin{smallmatrix} 0 \\ -0.050 \end{smallmatrix}$	$\phi M \pm 0.125$	$\phi h \begin{smallmatrix} +0.40 \\ +0.10 \end{smallmatrix}$	$t \pm 0.20$	$\phi D_1 \begin{smallmatrix} +0.12 \\ 0 \end{smallmatrix}$
8	SF-2□WC 10	20	10	1.5	15	1.5	1.0	20
10	SF-2□WC 12	24	12		18			24
12	SF-2□WC 14	26	14		20			26
14	SF-2□WC 16	30	16		23			30
16	SF-2□WC 18	32	18	2.0	25	3.0	1.0	32
18	SF-2□WC 20	36	20		28			36
20	SF-2□WC 22	38	22		30			38
22	SF-2□WC 24	42	24		33			42
24	SF-2□WC 26	44	26		35			44
26	SF-2□WC 28	48	28		38			48
30	SF-2□WC 32	54	32		43			54
36	SF-2□WC 38	62	38		50			62
40	SF-2□WC 42	66	42		54			66
46	SF-2□WC 48	74	48		61			74
50	SF-2□WC 52	78	52	65	1.5	78		
60	SF-2□WC 62	90	62	76		90		

# SF-2PS 标准公制滑板 Metric Standard Strip



※标准滑板标注方式：Standard Strip Label Mode SF-2□ SP 010130

单位Unit: mm

相配轴径 Axle	长度 Length $L \begin{smallmatrix} +5.0 \\ 0 \end{smallmatrix}$	宽度 Width $W \begin{smallmatrix} +2.0 \\ 0 \end{smallmatrix}$	厚度 Thickness $T \begin{smallmatrix} 0 \\ -0.050 \end{smallmatrix}$
SF-2□SP 010130	500	130	1.0
SF-2□SP 015130	500	130	1.5
SF-2□SP 020130	500	130	2.0
SF-2□SP 025130	500	130	2.5