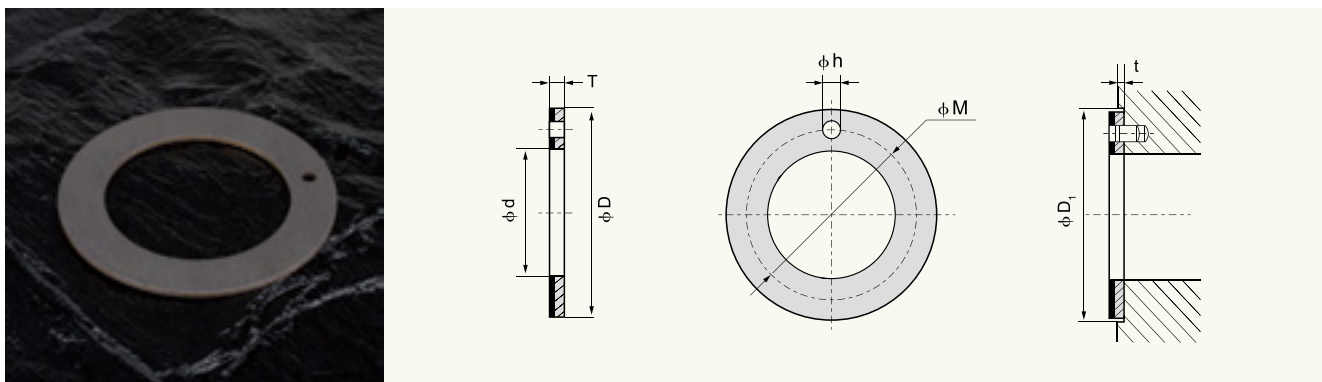


SF-1/1W/1B/1S/1T/1P 标准公制垫片 Metric Standard Washer

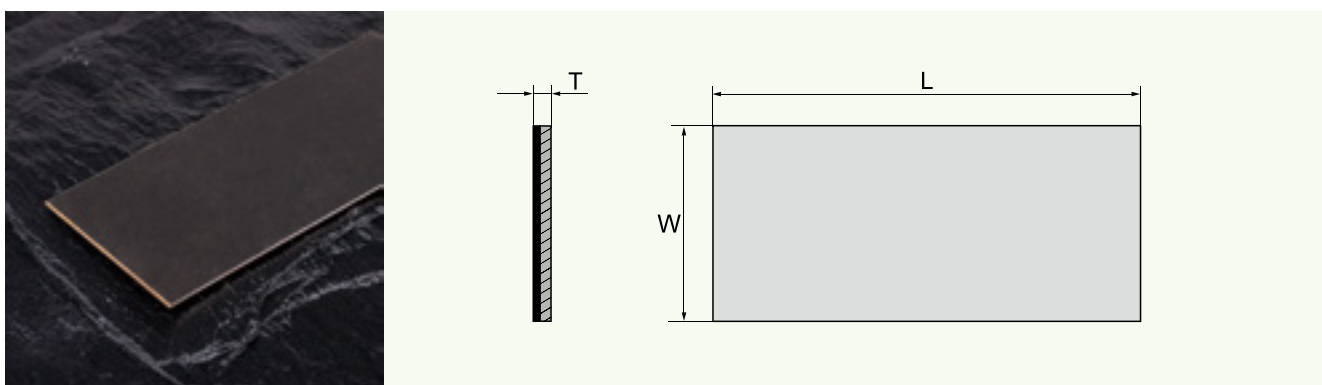


※标准垫片标注方式: Standard Washer Label Mode SF-1□WC 10

单位Unit: mm

相配轴径 Axle	型号规格 Designation	垫片尺寸 Washer Dimension				安装尺寸 Installation Size		
		$\phi D_{-0.25}^0$	$\phi d_{0}^{+0.25}$	$T_{-0.050}^0$	$\phi M \pm 0.125$	$\phi h_{+0.10}^{+0.40}$	$t \pm 0.20$	$\phi D_1_{0}^{+0.12}$
8	SF-1□WC 10	20	10	1.5	15	1.5	1.0	20
10	SF-1□WC 12	24	12		18			24
12	SF-1□WC 14	26	14		20	2.0		26
14	SF-1□WC 16	30	16		23			30
16	SF-1□WC 18	32	18		25	3.0		32
18	SF-1□WC 20	36	20		28			36
20	SF-1□WC 22	38	22		30			38
22	SF-1□WC 24	42	24		33	4.0		42
24	SF-1□WC 26	44	26		35			44
26	SF-1□WC 28	48	28		38	1.5		48
30	SF-1□WC 32	54	32		43			54
36	SF-1□WC 38	62	38		50			62
40	SF-1□WC 42	66	42		54			66
46	SF-1□WC 48	74	48		61			1.5
50	SF-1□WC 52	78	52	65	78			
60	SF-1□WC 62	90	62	76	90			

SF-1/1W/1B/1S/1T/1P 标准公制滑板 Metric Standard Strip



※标准板材标注方式: Standard Strip Label Mode SF-1□SP 010130

单位Unit: mm

型号规格 Designation	长度 Length $L_{0}^{+5.0}$	宽度 Width $W_{0}^{+2.0}$	厚度 Thickness $T_{-0.050}^0$
SF-1□SP 010130	500	130	1.0
SF-1□SP 015130	500	130	1.5
SF-1□SP 020130	500	130	2.0
SF-1□SP 025130	500	130	2.5