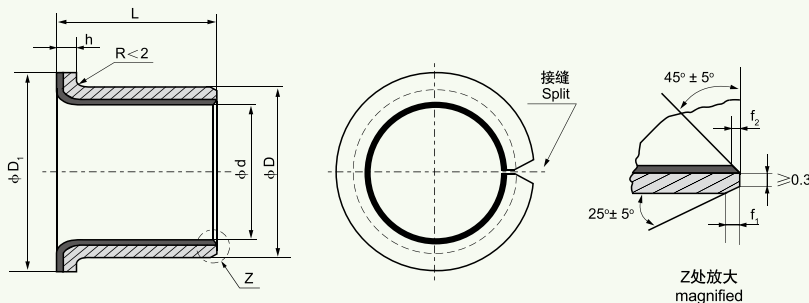


# SF-1/1W/1B/1S/1T/1P标准公制翻边轴套 Metric Standard Flange Bushing



※标准翻边套标注方式：Standard Flange Bushing Label Mode SF-1□F 06040

单位Unit: mm

型号规格 Designation	内径 $\phi d$	外径 $\phi D$	法兰外径 $\phi D_1 \pm 0.5$	法兰壁厚 $h \begin{smallmatrix} 0 \\ -0.20 \end{smallmatrix}$	高度 $L \pm 0.25$	$f_1$	$f_2$	相配轴径 Axle	相配座孔 Housing																
SF-1□F 06040	6	8	12	1.0	4	0.6	0.3	6 <sup>-0.010</sup> <sub>-0.022</sub>	8 <sup>+0.015</sup> <sub>0</sub>																
SF-1□F 06070					7																				
SF-1□F 08055	8	10	15		5.5			0.6	0.3	8 <sup>-0.013</sup> <sub>-0.028</sub>	10 <sup>+0.015</sup> <sub>0</sub>														
SF-1□F 08075					7.5																				
SF-1□F 10070	10	12	18		7					0.6	0.3	10 <sup>-0.013</sup> <sub>-0.028</sub>	12 <sup>+0.018</sup> <sub>0</sub>												
SF-1□F 10090					9																				
SF-1□F 10120					12																				
SF-1□F 12070					7																				
SF-1□F 12090	12	14	20		9							0.6	0.3	12 <sup>-0.016</sup> <sub>-0.034</sub>	14 <sup>+0.018</sup> <sub>0</sub>										
SF-1□F 12120					12																				
SF-1□F 14120					12																				
SF-1□F 14170					17																				
SF-1□F 15090	15	17	23		9									0.6	0.3	15 <sup>-0.016</sup> <sub>-0.034</sub>	17 <sup>+0.018</sup> <sub>0</sub>								
SF-1□F 15120					12																				
SF-1□F 15170					17																				
SF-1□F 16120					12																				
SF-1□F 16170	16	18	24		17											0.6	0.3	16 <sup>-0.016</sup> <sub>-0.034</sub>	18 <sup>+0.018</sup> <sub>0</sub>						
SF-1□F 18120					12																				
SF-1□F 18170	18	20	26		17													0.6	0.3	18 <sup>-0.016</sup> <sub>-0.034</sub>	20 <sup>+0.021</sup> <sub>0</sub>				
SF-1□F 18200					20																				
SF-1□F 20115				20	23	30	11.5															0.8	0.4	20 <sup>-0.020</sup> <sub>-0.041</sub>	23 <sup>+0.021</sup> <sub>0</sub>
SF-1□F 20165							16.5																		
SF-1□F 20215	21.5																								
SF-1□F 22150	22	25	32	15	0.8	0.4	22 <sup>-0.020</sup> <sub>-0.041</sub>	25 <sup>+0.021</sup> <sub>0</sub>																	
SF-1□F 22200				20																					
SF-1□F 25115				25					28	35	11.5									0.8	0.4			25 <sup>-0.020</sup> <sub>-0.041</sub>	28 <sup>+0.021</sup> <sub>0</sub>
SF-1□F 25165											16.5														
SF-1□F 25215	21.5																								
SF-1□F 30160	30	34	42	16			1.2	0.6	30 <sup>-0.020</sup> <sub>-0.041</sub>	34 <sup>+0.025</sup> <sub>0</sub>															
SF-1□F 30260				26																					
SF-1□F 35160	35	39	47	16					1.2	0.6	35 <sup>-0.025</sup> <sub>-0.050</sub>	39 <sup>+0.025</sup> <sub>0</sub>													
SF-1□F 35260				26																					
SF-1□F 40260				26																					
SF-1□F 40400				40																					