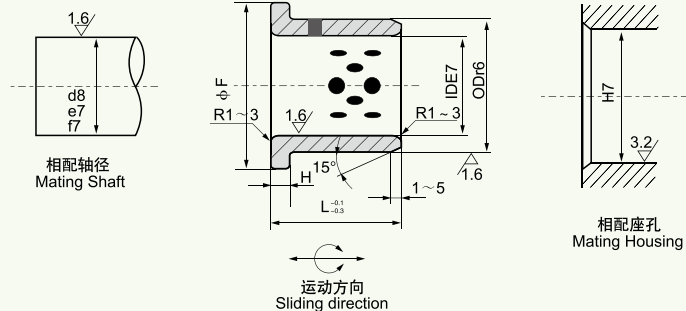


JFB 铜基翻边镶嵌式固体润滑轴承 Cast Bronze Flanged Solid-lubricant inlaid bearing



※标准产品标注方式：Standard Bushing Label Mode JDB □ 1015

单位Unit: mm

ID F7	OD r6	F	H _{-0.10} ⁰	L _{-0.30} ^{-0.10}													
				15	20	25	30	35	40	50	60	80	100				
10	+0.040 +0.025	14	22	2	1015	1020											
12		18	25	3	1215	1220											
13		19	26		1315	1320											
14	+0.050 +0.032	20	27		1415	1420											
15		21	28		1515	1520	1525	1530									
16		22	29		1615	1620	1625	1630									
20		30	40	5		2020	2025	2030	2035								
25	+0.061 +0.040	35	45			2520	2525	2530	2535								
30		40	50			3020	3025	3030	3035	3040	3050						
35		45	60				3525	3530	3535	3540	3550						
40		50	65					4030	4035	4040	4050						
45	+0.075 +0.050	55	70					4530	4535	4540	4550	4560					
50		60	75							5050	5050	5060					
55		65	80							5540	5550	5560					
60		75	90							6040	6050	6060	6080				
70	+0.090 +0.060	85	105		7.5						7050	7060	7080				
75		90	110							7550	7560						
80		100	120	10								8060	8080	80100			
100		120	150										10060	10080	100100		
120	+0.107 +0.072	140	170										12060	12080	120100		

※推荐座孔公差H7，轴径公差d8(高承载)、e7(低承载)、f7(高精度)

Note: recommended tolerance of the housing is H7 and the diameter tolerance of the shaft is d8 (High Load), e7 (Low Load) or f7 (High Precision)