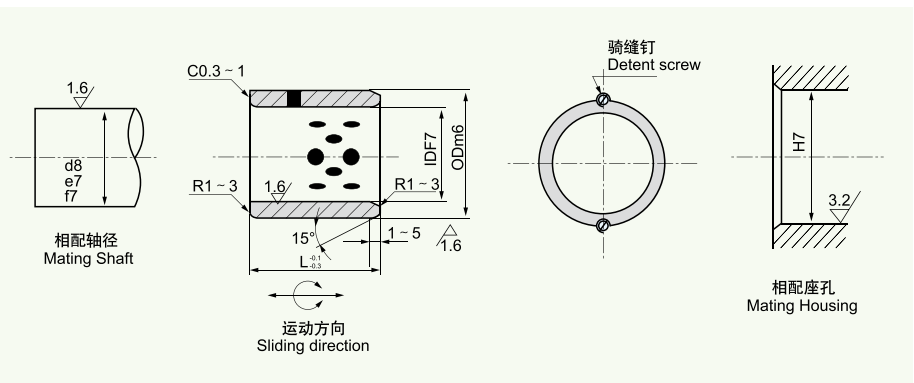


JDB 铜基镶嵌式固体润滑轴承 Cast Bronze Solid-lubricant inlaid bearing



※标准产品标注方式：Standard Bushing Label Mode JDB □ 081208

单位Unit: mm

d	D	ID F7	OD m6	L ^{-0.10} / _{-0.30}												
				8	10	15	20	25	30	35	40	50	60			
8	12	8	12	081208	081210	081215										
10	14	10	14	101408	101410	101415	101420									
12	18	12	18		121810	121815	121820	121825								
13	19	13	19		131910	131915	131920									
14	20	14	20		142010	142015	142020	142025								
15	21	15	21		152110	152115	152120	152125								
16	22	16	22		162210	162215	162220	162225								
18	24	18	24			182415	182420	182425	182430							
20	28	20	28			202815	202820	202825	202830							
20	30	20	30				203020	203025	203030	203035						
22	32	22	32				223215	223220	223225	223230						
25	33	25	33				253315	253320	253325	253330	253335					
25	35	25	35				253515	253520	253525	253530	253535					
28	38	28	38				283820	283825	283830	283835						
30	38	30	38				303820	303825	303830	303835	303840					
30	40	30	40				304020	304025	304030	304035	304040					
32	42	32	42						324230	324235	324240					
35	45	35	45						354530	354535	354540	354550				
38	48	38	48						384830	384835	384840	384850				
40	50	40	50						405030	405035	405040	405050	405060			

JDB 铜基镶嵌式固体润滑轴承 Cast Bronze Solid-lubricant inlaid bearing



d	D	ID F7		OD m6		L ^{-0.10} / _{-0.30}								
						30	35	40	50	60	70	80	100	
40	55	40	+0.050 +0.025	55	+0.030 +0.011	405530	405535	405540	405550	405560				
45	60	45		60			456035	456040	456050	456060				
50	60	50		60				506035	506040	506050	506060	506070		
50	62	50		62					506235	506240	506250	506260	506270	
50	65	50		65						506540	506550	506560	506570	
55	70	55	+0.060 +0.030	70	+0.035 +0.013			557040	557050	557060	557070			
60	74	60		74					607440	607450	607460	607470		
60	75	60		75						607540	607550	607560	607570	
63	75	63		75							637550	637560	637570	
65	80	65		80							658050	658060	658070	658080
70	85	70	+0.071 +0.036	85	+0.040 +0.015				708550	708560	708570	708580		
70	90	70		90						709050	709060	709070	709080	
75	90	75		90							759060	759070	759080	
80	96	80		96							809650	809660	809670	809680
80	100	80		100							8010050	8010060	8010070	8010080
100	120	100	+0.083 +0.043	120	+0.040 +0.015					10012060	10012070	10012080	100120100	
110	130	110		130								11013070	11013080	110130100
120	140	120		140								12014070	12014080	120140100
125	145	125		145									12514580	125145100
130	150	130		150									13015080	130150100
140	160	140	160								14016080	140160100		
150	170	150	170								15017080	150170100		
160	180	160	180								16018080	160180100		

※推荐座孔公差H7，轴径公差d8(高承载)、e7(低承载)、f7(高精度)

Note: recommended tolerance of the housing is H7 and the diameter tolerance of the shaft is d8 (High Load).
e7 (Low Load) or f7 (High Precision)